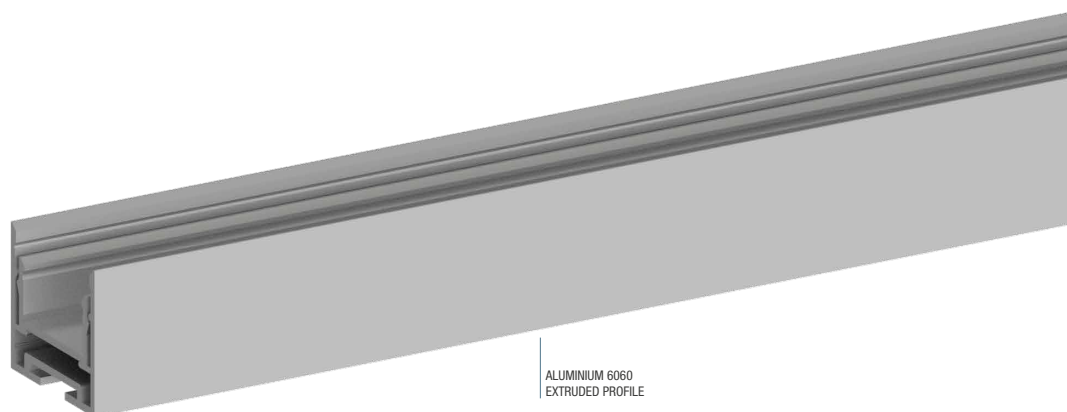
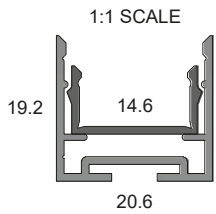


# YPSILON

Anodised aluminium 6060 extruded profiles, designed to be used in a wide range of configurations and situations. Their size, shape and easy of installation allow creating several types of sophisticated and prominent light outputs. Also, the many accessories make the extruded profile even more versatile, with the option of creating a customized light source. Ideal to house and dissipate LED Strips.

 EXTRUDED IN ITALY





BASIC CODES

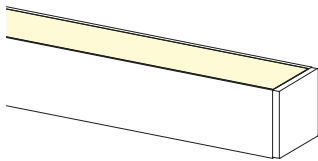
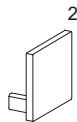
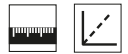
**PA.YPSILON.**

LENGTH

- 1 1000mm
- 2 2000mm
- 3 3000mm

FINISHES

- 1 Matt white RAL9003
- 2 Matt black RAL9005
- 7 Brushed aluminium



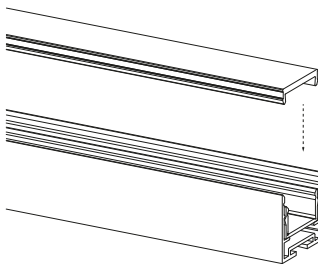
BASIC CODES

**SY01.**

FINISHES

- 1 White
- 2 Matt black
- 7 Brushed aluminium

Side aluminium closing support. Easy and quick to install, by exerting a slight side pressure.



BASIC CODES

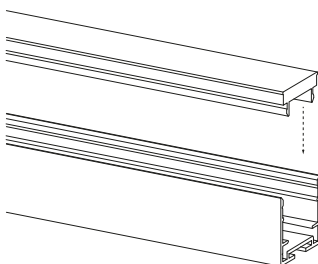
**PA.20PE10.**

LENGTH

- 1 1000mm brushed
- 2 2000mm brushed
- 3 3000mm brushed

- 1M 1000mm microprismatic
- 2M 2000mm microprismatic
- 3M 3000mm microprismatic

Brushed or microprismatic snap-on diffuser. The diffuser can be easily removed for maintenance operations.



BASIC CODES

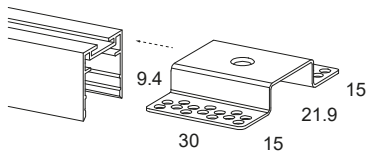
**PA.20PE09.**

LENGTH

- 1 1000mm brushed
- 2 2000mm brushed
- 3 3000mm brushed

Brushed snap-on walkable diffuser. The diffuser can be easily removed for maintenance operations.

Code example: YPSILON Profile + 1000mm Length + Brushed Aluminium Finish = Code: PA.YPSILON.17

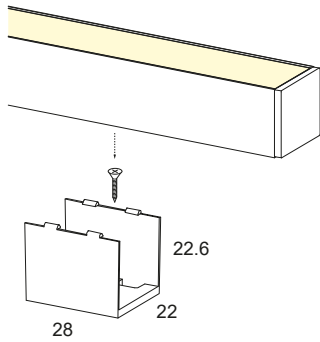


**BASIC CODES**

**SY03**

Support for RHO/Ypsilon profile flush-mounting installation. Install the support on the back of the profile and fix it to the 12mm plasterboard through self-tapping screws.

NB. We recommend No. 1 Support per 500mm



**BASIC CODES**

**SY05.8**

Transparent polycarbonate surface-mounted fixing clip for the RHO profile. It can be fixed on any surface. Supplied with M3x20 screw. Snap-in profile mounting.

NB. We recommend No. 1 Clip per 500mm

Code example: YPSILON Profile + 1000mm Length + Brushed Aluminium Finish = Code: PA.YPSILON.17